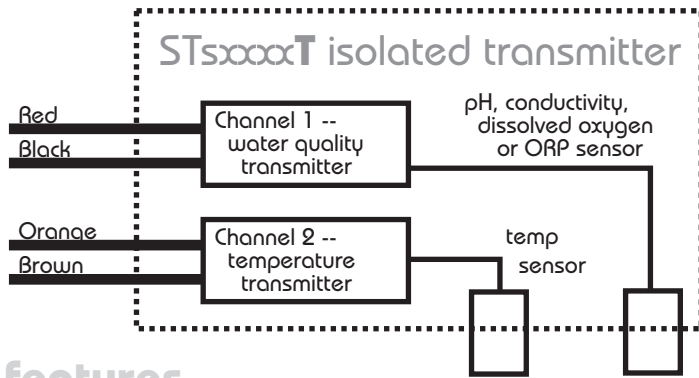


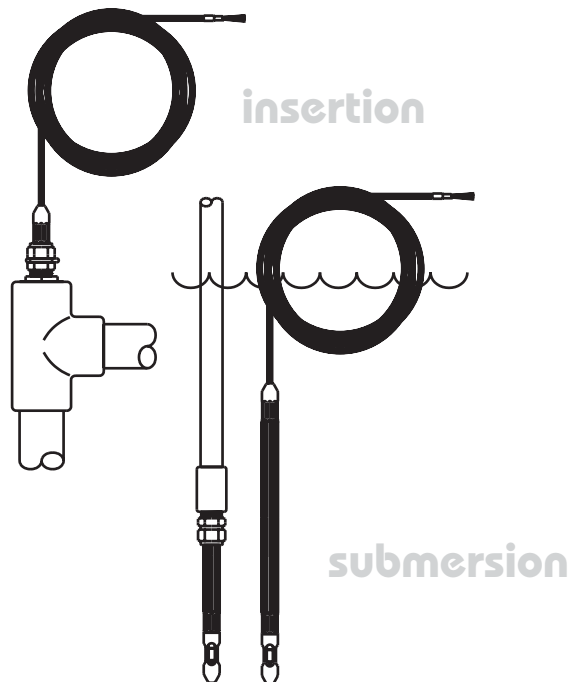
## dual output, 4-20 ma, water quality transmitters

conductivity, ORP (redox), pH, dissolved oxygen, and specific ion



### features

- isolated 4-20 ma outputs -- operate down to 7 volts
- independent temperature output (0 to 50 °C)
- available with conductivity, dissolved oxygen, ORP or pH
- 316SS (titanium optional) and PVDF (Kynar) construction
- patented pHiKEC™ connector system (US Pat No: 6331117) -- allows for 'two-turn' cable and sensor assembly
- 'true' 2-wire operation
- automatic temperature compensation
- auto-polarity correction
- small, 3/4" (19mm) diameter -- ideal for wells
- includes replaceable 10 meter cable (33 feet) -- rated for continuous submersion and burial
- pHiKLiP™ retaining system -- prevents blow-outs in in-line, insertion applications -- also allows for flexible, multi-parameter configuration



submersible cable assembly can be replaced or swapped with only '2-turns'

patented pHiKEC™ connection system allows for fast configuration or service of sensor

3/4" diameter (19mm) 316 SS housing (titanium optional)

pat. pending pHiKLiP™ system -- prevents blowouts

optional temperature output

automatic temperature compensation of output

isolated differential amplifier input (reduces noise)

pat. pending pHiKLiP™ system -- allows for easy multiparameter configuration

field replaceable, sensor cartridges (only '2-turns')

protective PVDF guard

pHiKEC™, pHiKLiP™, and sesnorlogger™ are trademarks of pHiionics Inc.. The pHiKEC™ connector system is covered by U.S. Patent Nos. 6,331,117, 6,612,848 and various patents pending. The pHiKLiP™ array system is patent pending.  
voice: 925-692-0080, fax: 925-692-0081, 800: 800-964-0063, e-mail: sales@phionics.com